



FreeFall Metal Detection

www.loma.com

Versatile, proven metal detection systems for the food, pharmaceutical and chemical industries



- **Versatile** Range of apertures to suite a wide range of pipe sizes
- **Easy to use** Automatic product learn ensures maximum sensitivity without adjustment
- **Sensitive** Advanced signal processing provides unsurpassed levels of detection
- **Flexible** Multiple product memories for rapid product change over and data storage
- **Efficient** High speed reject ensure positive contaminant rejection with minimum wastage
- **Safe** ATEX category 3D approved for use in zones 22

Metal Detection

X-ray Inspection

Checkweighers

Data Capture

Designed to Survive



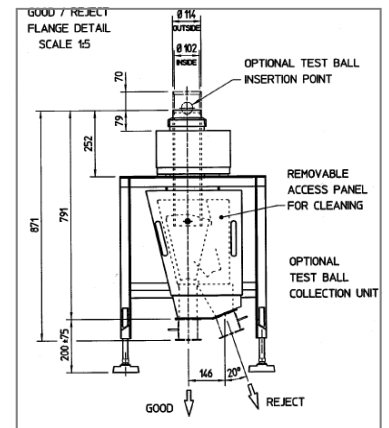
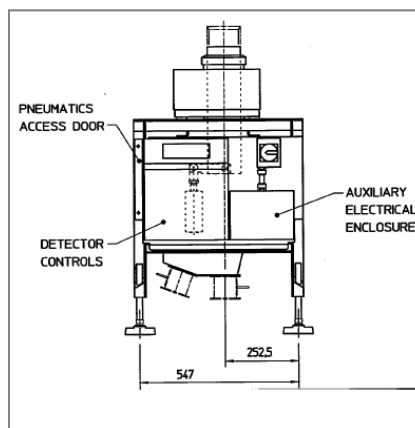
FreeFall Metal Detection

| | | | |
|---|---|--|----------|
| Finish: | 304 stainless steel with bead blast finish | | |
| Pipe Diameters: | 100mm | 150mm | 200mm |
| Typical System Lengths: (Foot Mounted) | 790mm | 860mm | 1080mm |
| Throughput: | *6 T/hr | *13.5 T/hr | *24 T/hr |
| Supply Voltages: | 230V 1ph N+E or 110V 1ph N+E | | |
| Air Supply: | 5 to 8 bar | | |
| Reject Types: | Bucket reject with sealed reject port | | |
| Environmental Protection: | IP 65 | | |
| Options: | Remote control box Beacon stanchion Reject confirm LomaEnet Serial link PVS Beacon | Floor or ceiling mount Keyboard cover Test retrieval kit Ethernet Remote reports | |

Technical Specification

- Upgradeable metal detector controls
- PVS to aid HACCP compliance
- Various communication options to suit plant integration protocols
- Direct transmitter drive to eliminate thermal drift
- High field strength to eliminate external interference and deliver the ultimate in noise free detection
- 32-bit digital signal processing for enhanced contaminant detection
- Standard apertures on rapid delivery

| Head Aperture Sizes | |
|-----------------------------------|---|
| For tight spaces like bag makers | |
| Catalogue FreeFall mm diameter | Standard SlimLine (Contained Field available) mm diameter |
| 129 | 120 |
| 173 | 169 |
| 239 | 180 |
| | 219 |
| | 270 |
| | 320 |
| Case = 134mm to flow | |



Loma Systems, Summit Ave, Southwood, Farnborough, Hampshire, GU14 0NY

Tel: +44 (0)1252 893300

Fax: +44 (0)1252 513322

Email: sales@loma.co.uk

Designed to Survive