



Pharmaceutical Metal Detection

www.loma.com

Versatile, proven metal detection systems for the pharmaceutical industry



- **Compact** Installed easily and quickly after the de-duster or tablet press
- **Safe** The failsafe reject mechanism ensures precise rejection of contaminated product
- **Sensitive** Advanced signal processing provides unsurpassed levels of detection
- **Hygienic** Product contact parts can be quickly dismantled and cleaned
- **Reliable** Robust design ensures long, reliable performance on the line

Metal Detection

X-ray Inspection

Checkweighers

Data Capture

Designed to Survive

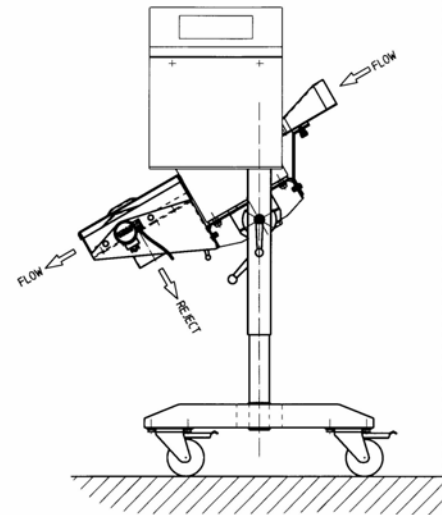


Pharmaceutical Metal Detection

Finish:	304 stainless steel with bead blast finish		
Aperture Sizes:	100mm x 20mm (4" x 0.8")	100 x 38mm (4" x 1.5")	
Supply Voltage:	110/115/200/220/230V 50/60Hz		
Input Height:	530mm to 835mm	20.8" to 32.8"	
Output Height:	240mm to 680mm	9.5" to 26.8"	
Height Adjustment:	Gas strut assisted		
Tilt Angle:	45° maximum		
Reject Type:	High speed electrical solenoid driven flap		
Throughput:	Up to 10,000 tablets/min		
Cleaning Regime:	Wipe/blow machine Wash inlet/outlet chutes		
Options:	Beacon stanchion Ethernet	Keyboard cover Remote reports	LomaEnet Serial link PVS Beacon

Technical Specification

- Upgradeable metal detector controls
- PVS to aid HACCP compliance
- Various communication options to suit plant integration protocols
- Direct transmitter drive to eliminate thermal drift
- High field strength to eliminate external interference and deliver the ultimate in noise free detection
- 32-bit digital signal processing for enhanced contaminant detection
- Standard apertures on rapid delivery
- 1MHz operating frequency for peak high-grade stainless steel detection



USA — Loma Systems Inc, 283 East Lies Road, Carol Stream, IL 60188
Canada — Loma Canada, 333 Wycroft Road, Unit 11, Oakville, Ontario, L6K 2H2

Tel: 1-800-USA-LOMA
Tel: (905) 842 4581

Fax: (630) 588-0900
Fax: (905) 842 3460

Email: sales@loma.com
Email: lomacanada@loma.com