



## *IQ<sup>3</sup> Metal Detector Search Heads*

[www.loma.com](http://www.loma.com)

Adaptable and tough, variable frequency metal detection systems for the food and packaging industries



- **Adaptable** True variable frequency detection adapts to new product and packaging in seconds
- **Easy to use** Automatic product learn ensures maximum sensitivity without adjustment
- **Stable** Unique case and coil geometry delivers unsurpassed levels of immunity
- **Flexible** Multiple product memories for rapid product change over and data storage
- **Tough** IP69K environmental protection

Metal Detection

X-ray Inspection

Checkweighers

Data Capture

*Designed to Survive*

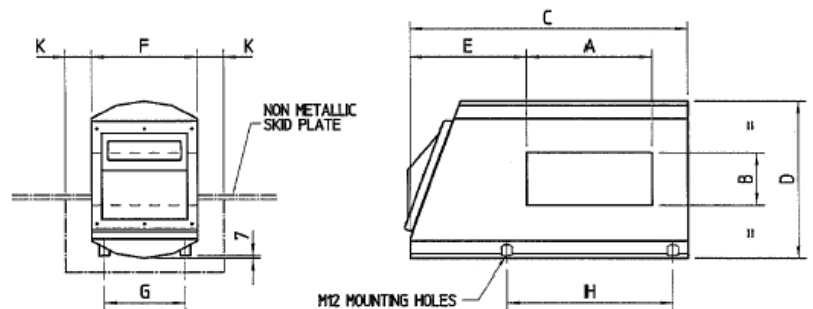


# Metal Detector Search Heads

Finish:	304 stainless steel with bead blast finish	
Supply Voltages:	100, 120, 200, 220, 230, 240V AC 50/60Hz	
Power Consumption:	20VA	
Temperature Range:	-10°C to +40°C (14°F to 104°F)	
Humidity:	0 to 95% Relative Humidity (non-condensing)	
Reject Options:	Air Blast single or twin, Pusher others to order	
Environment:	IP 69K	Blue Head
	IP 69K Ultra Harsh	MAX
Options:	Beacon stanchion	Keyboard cover
	Reject confirm	Bin full
	LomaEnet	Ethernet
	Serial link	Remote reports (with software upgrade)
	PVS (Performance Validation System)	

## Technical Specification

- Unique clam-shell design case and coil geometry
- Bifurcated and totally uniform product screen
- Upgradeable metal detector controls
- True variable frequency, standard operating range from 40 to 900KHz
- Performance Validation System (PVS) to aid HACCP compliance
- Various communication options to suit plant integration protocols
- 32-bit digital signal processing for enhanced contaminant detection



Standard apertures on rapid delivery

Height mm							
100	150	200	250	300	350	450	
Width mm							
250	350	450	550	650	750	950	1150

DIMENSION A = APERTURE WIDTH  
DIMENSION B = APERTURE HEIGHT

B	75-100	125-150	175-250	275-350	375-450	475-550	575-650	675-750
C	A+430	A+430	A+430	A+530	A+670	A+810	A+830	A+930
D	425	B+300	B+300	B+400	B+500	B+600	B+700	B+800
E	330	330	330	380	470	560	530	580
F	300	300	400	500	600	700	800	1000
G	230	230	330	430	530	630	730	930
H	A+114	A+114	A+114	A+114	A+114	A+114	A+114	A+114
K	75	75	175	275	350	450	550	625

Other aperture sizes available

Loma Systems, Summit Ave, Southwood, Farnborough, Hampshire, GU14 0NY

**Tel:** +44 (0)1252 893300    **Fax:** +44 (0)1252 513322    **Email:** sales@loma.co.uk

*Designed to Survive*