



## IQ<sup>3</sup> Metal Detector Search Heads

[www.loma.com](http://www.loma.com)

Adaptable and tough, variable frequency metal detection systems for the food and packaging industries



- **Adaptable** True multi-frequency detection adapts to new product and packaging in seconds
- **Easy to use** Automatic product learn ensures maximum sensitivity without adjustment
- **Stable** Unique case and coil geometry delivers unsurpassed levels of immunity
- **Flexible** Multiple product memories for rapid product change over and data storage
- **Tough** IP69K (NEMA PW12) environmental protection

Metal Detection

X-ray Inspection

Checkweighers

Data Capture

*Designed to Survive*



# Metal Detector Search Heads

Finish:	304 stainless steel with bead blast finish	
Supply Voltages:	100, 120, 200, 220, 230, 240V AC 50/60Hz	
Power Consumption:	20VA	
Temperature Range:	-10°C to +40°C (14°F to 104°F)	
Humidity:	0 to 95% Relative Humidity (non-condensing)	
Reject Options:	Air Blast single or twin, Pusher others to order	
Environment:	NEMA PW12	Blue Head
	NEMA PW12 Ultra Harsh	MAX
Options:	Beacon stanchion	Keyboard cover
	Reject confirm	Bin full
	LomaEnet	Ethernet
	Serial link	Remote reports
	PVS (Performance Validation System)	

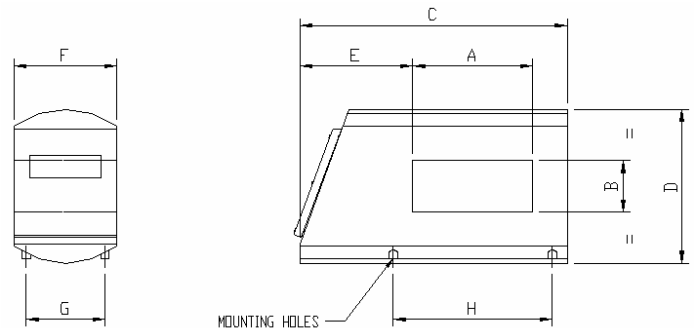
## Technical Specification

- Unique clam-shell design case and coil geometry
- Bifurcated and totally uniform product screen
- Upgradeable metal detector controls
- True multi-frequency, standard operating range from 40 to 900KHz
- Performance Validation System (PVS) to aid HACCP compliance
- Various communication options to suit plant integration protocols
- 32-bit digital signal processing for enhanced contaminant detection
- Standard apertures on rapid delivery

Height  
3" (75mm) to 30" (775mm)

Width  
4" (100mm) to 78" (2000mm)

\*Other aperture sizes available



DIMENSION A = APERTURE WIDTH  
DIMENSION B = APERTURE HEIGHT

B	3' - 4'	5' - 6'	7' - 10'	11' - 14'	15' - 18'	19' - 22'	23' - 26'	27' - 30'
C	A+17"	A+17"	A+17"	A+21"	A+25"	A+29"	A+33"	A+37"
D	17"	B+12"	B+12"	B+16"	B+20"	B+24"	B+28"	B+32"
E	13"	13"	13"	15"	17"	19"	21"	23"
F	12"	12"	16"	20"	24"	28"	32"	40"
G	9"	9"	13"	17"	21"	25"	29"	37"
H	A+4.5"	A+4.5"	A+4.5"	A+4.5"	A+4.5"	A+4.5"	A+4.5"	A+4.5"

USA — Loma Systems Inc, 283 East Lies Road, Carol Stream, IL 60188  
Canada — Loma Canada, 333 Wycroft Road, Unit 11, Oakville, Ontario, L6K 2H2

Tel: 1-800-USA-LOMA  
Tel: (905) 842 4581

Fax: (630) 588-0900  
Fax: (905) 842 3460

Email: sales@loma.com  
Email: lomacanada@loma.com