



X⁴ FinePitch X-ray Inspection Systems

www.loma.com

Versatile, proven X-ray detection for the food and packaging industries



- **Versatile** Models and reject systems to suit a wide range of packaged product
- **Easy to use** Intuitive full color touch-screen
- **Sensitive** High performance, auto configuring contaminant detection algorithms
- **Fast** Belt speeds up to 40m/min with optimum performance
- **Reliable** Heavy duty conveyor components, built for 24/7 operation

Metal Detection

X-ray Inspection

Checkweighers

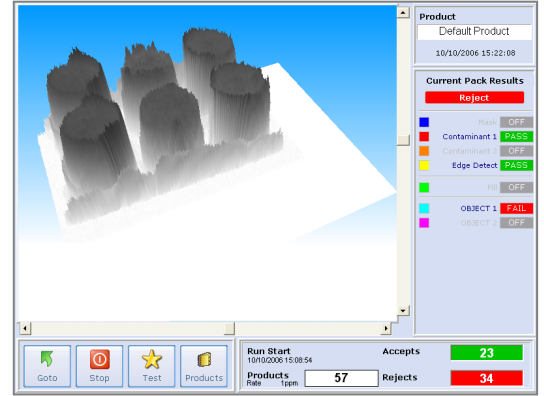
Data Capture

Designed to Survive



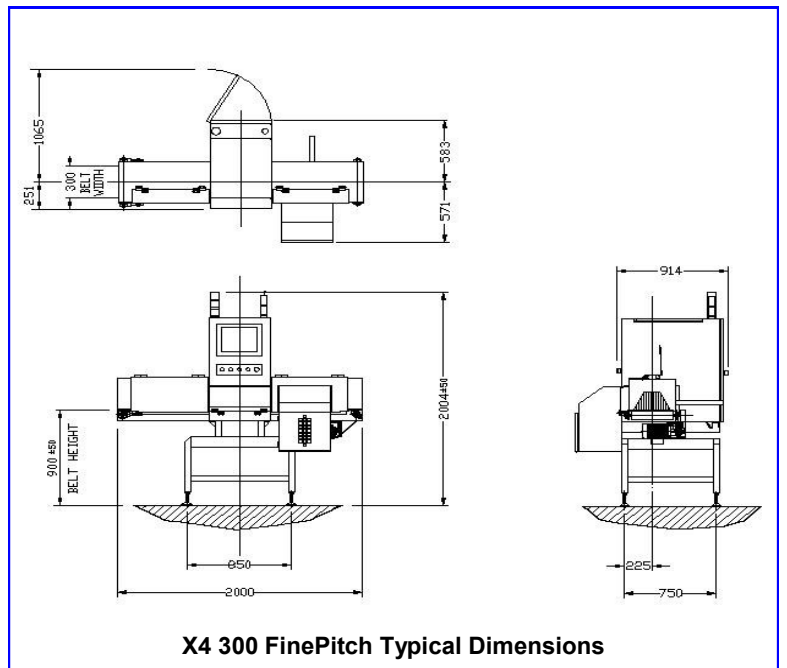
X⁴ FinePitch X-ray Inspection Systems

- Finish: 304 stainless steel with bead blast finish
- Typical Line Height: 900mm ± 50mm 35" ± 2"
- System Length: 2000mm 78.7"
- Belt Width: 300mm (11.8") or 500mm (19.6")
- Supply Voltages: 230/1ph/50Hz N+E or 110/1ph/60Hz N+E
- Air Supply: 5 to 8 bar
- Reject Options: Air Blast single or twin, Pusher others to order
- Environment: IP 55
- Belt Type: Flat (food quality) belt
- Standard Inclusions: Height adjustable feet, Mass Measurement, Missing product, Shape recognition, Image and report archiving, Hinged interlocked covers, Variable speed
- Options: Reject confirmation, Bin full sensing, Reject bin, Survey meter, Remote diagnostics, Lockable wheels, LomaEnet, Washdown upgrade



Technical Specification

- Industrial Grade PC with modem, Ethernet and front access USB port
- Embedded Windows XP operating system
- Digitally controlled WASC (Wide Angle, Self Cooled) high performance X-ray tank. (Tube life estimated at 7 to 10 years)
- Unique USB high speed, high stability, detector array with 0.4mm diode pitch
- Computer vision system utilising image processing and morphological techniques
- Pass Key protected set-up
- USB Report and image archiving
- Full diagnostic and system health monitoring with date and time stamp archiving, including remote support tools
- Usage monitoring with planned maintenance prompts
- Modular system with speed digital communications between major components
- Scanning speeds of up to 40m/min (82 ft/min)



USA — Loma Systems, 283 East Lies Road, Carol Stream, IL 60188
 Canada — Loma Canada, 333 Wycroft Road, Unit 11, Oakville, Ontario, L6K 2H2

Tel: 1-800-USA-LOMA
Tel: (905) 842 4581

Fax: (630) 588 1394
Fax: (905) 842 3460

Email: sales@loma.com
Email: lomacanada@loma.com