



# *X<sup>4</sup> SideShoot X-ray Inspection Systems*

*www.loma.com*

Versatile, proven X-ray detection for the food and packaging industries



- **Versatile** Models and reject systems to suite a wide range of packaged product
- **Easy to use** Intuitive full colour touch-screen
- **Sensitive** High performance, auto configuring contaminant detection algorithms
- **Fast** Capable of pack rates in excess of 600ppm
- **Reliable** Heavy duty conveyor components, built for 24/7 operation

Metal Detection

X-ray Inspection

Checkweighers

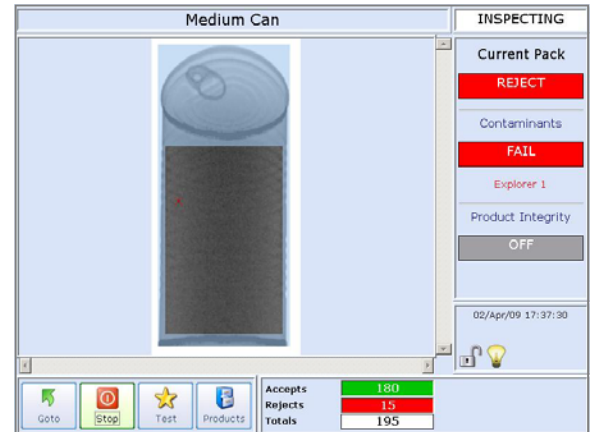
Data Capture

*Designed to Survive*



# X-ray Inspection Systems

- Finish: 304 stainless steel with bead blast finish
- Typical Line Height: 900mm ± 50mm
- System Length: 2830mm
- Belt Width: 200mm
- Supply Voltages: 230/1ph/50Hz N+E or 110/1ph/60Hz N+E
- Air Supply: 5 to 8 bar
- Reject Options: Signal only
- Environment: IP 55 NEMA 12
- Belt Type: Modular
- Standard Inclusions: Height adjustable feet, Image and report archiving, Hinged interlocked covers, Variable speed
- Options: Reject confirmation, Bin full sensing, Survey meter, Remote diagnostics, Lockable wheels, LomaEnet, IP66 washdown



## Technical Specification

Industrial Grade PC with modem, Ethernet and front access USB

Windows XP operating system

Digitally controlled WASC (Wide Angle, Self Cooled) high performance X-ray tank (Tube life estimated at 7 to 10 years)

Unique USB high speed, high stability, detector array with 0.8mm diode pitch

Computer vision system utilising image processing and morphological techniques

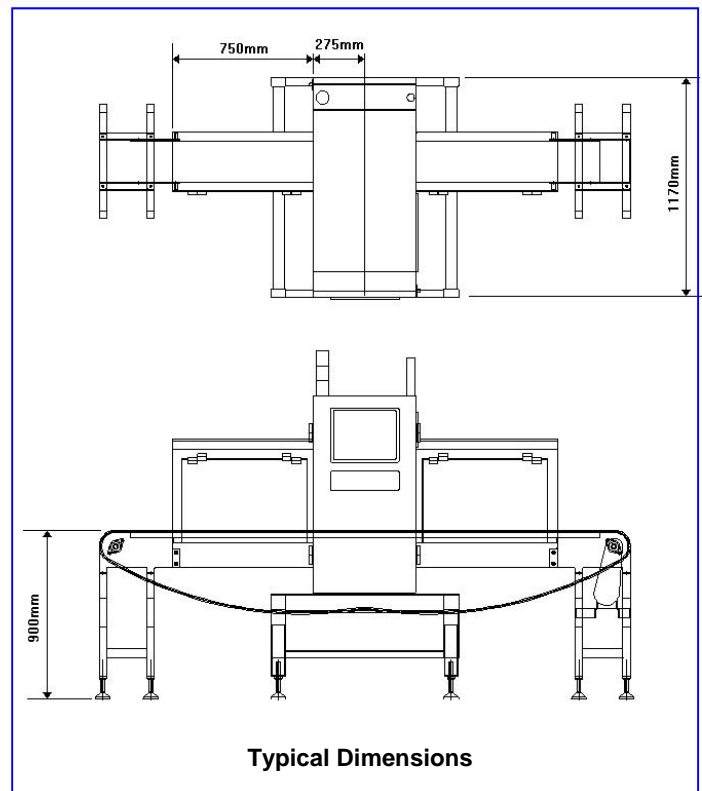
Pass Key protected set-up

USB Report and image archiving

Full diagnostic and system health monitoring with date and time stamp archiving, Including remote support tools

Usage monitoring with planned maintenance prompts

Modular system with high speed digital communications between major components



USA — Loma Systems Inc, 283 East Lies Road, Carol Stream, IL 60188

Canada — Loma Canada, 333 Wvecroft Road, Unit 11, Oakville, Ontario, L6K 2H2

Tel: 1-800-USA-LOMA

Tel: (905) 842 4581

Fax: (630) 588 1394

Fax: (905) 842 3460

Email: sales@loma.com

Email: lomacanada@loma.com

*Designed to Survive*